



Order designation

Smart R3S-8 radar scanner for the operation of force-limited barrier systems; without road surfacing work

Intelligent 60 GHz radar scanner for detecting static and dynamic objects at barrier systems

Art.-No. 10001552

Mounting bracket 120°

Art.-No. 10001595

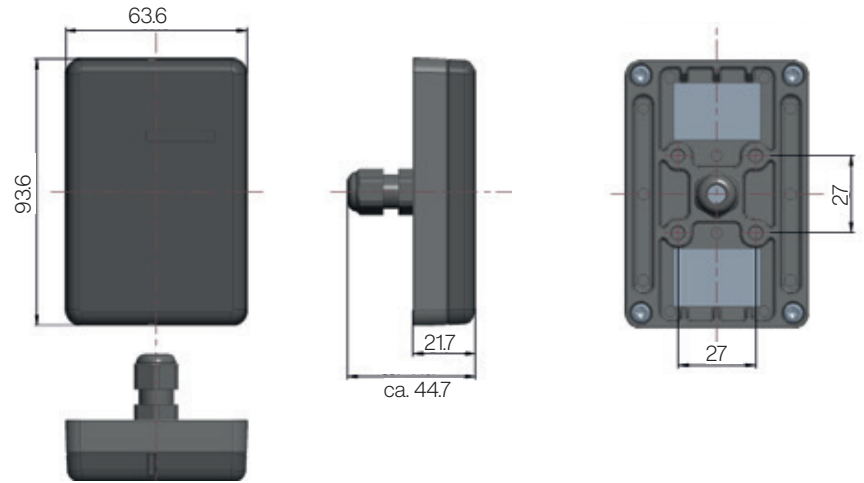
Mounting wedge 30°

Art.-No. 10001594

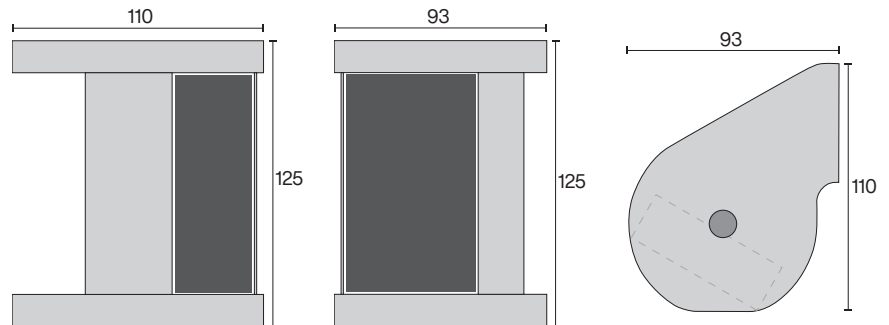
Features

- Simple, convenient installation without modifying the road surface
- Reliable object detection, whether moving or stationary, in detection and safety areas of barrier systems
- Ensuring safe differentiation between vehicles and pedestrians for barrier control
- Intuitive environmental teach in function and device configuration via mobile app
- Reliable function in harsh environmental conditions
- Tracking of static and dynamic objects
- Product-Lifecycle-Management, new feature updates and maintenance via Bluetooth and mobile app
- Open cable connection for the output of 3 switching signals: Open command area, Safety area, Drive-through signal
- Robust compact housing with protected connection for preventing unauthorized tampering

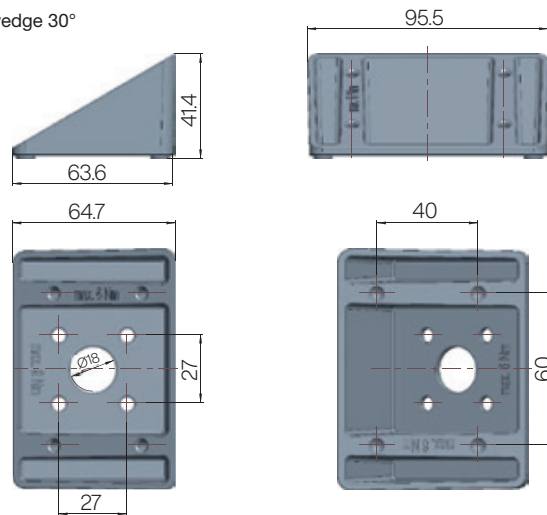
Dimensions



Mounting bracket 120° (Subject to change without notice)



Mounting wedge 30°



All dimensions in mm

Technical Data

Technology	mmWave-Radar, FMCW
Frequency range	60 - 64 GHz
Port	8-pin connection cable 0.25 mm ² , 1.9 m
Power supply	9 - 30 V DC
Mounting	4 x M5 Fixing screws
Mounting height	0.5 - 0.9 m, recommended 0.6 m a) with mounting wedge 30° (accessory) b) directly on the barrier housing
Detection range	max. 8.0 m x 8.0 m max. 6.0 m with person detection acc. EN 12453, protection level D



Technical Data

Power consumption	max. 1.8 W
Signal outputs	3 solid state relays (galvanically isolated, common)
Signal inputs	1 digital input, high activ
Switching voltage	max. 30 V AC/DC
Switching current	max. 100 mA
Operating status display	5 LEDs: yellow / red / yellow / blue / green
Communication interface	Bluetooth BLE 5.0
Reaction times	Detection without limiting filters: 200 ms
Temperature range	-30° C to 55° C
Housing	Polycarbonate, Die-cast aluminum
Dimensions (w x h x d)	63.6 x 93.6 x 21.7 mm, without connection cable
Weight	300 g, with connection cable
Protection class	IP65
Protection level D	EN 12453